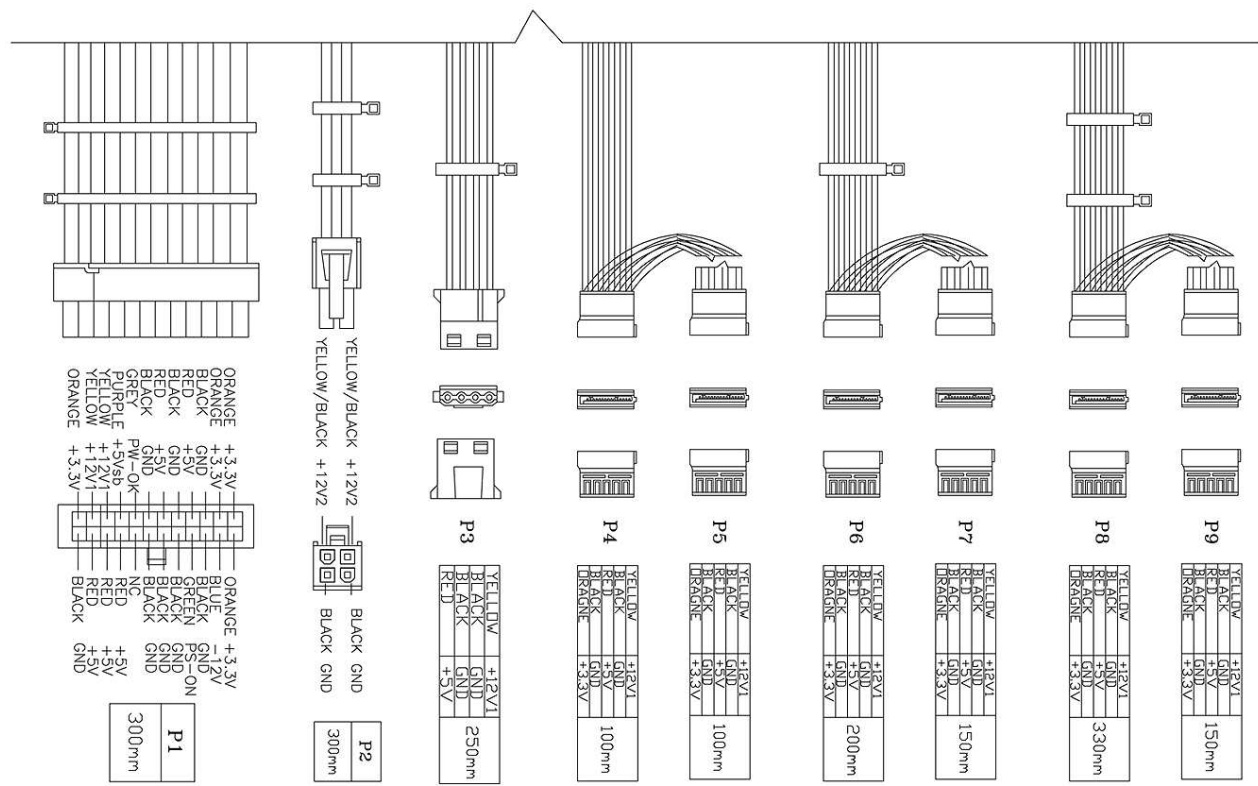
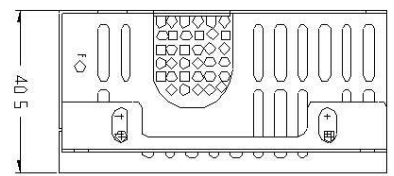
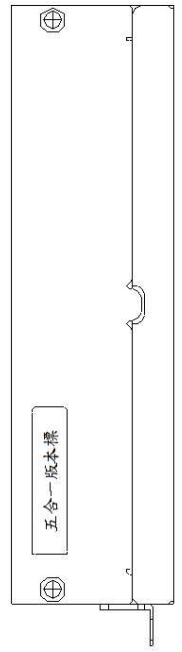
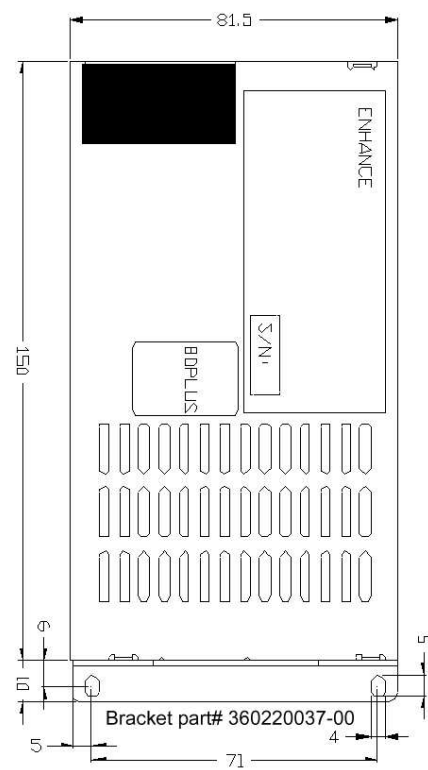
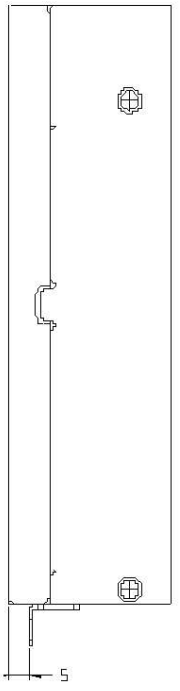
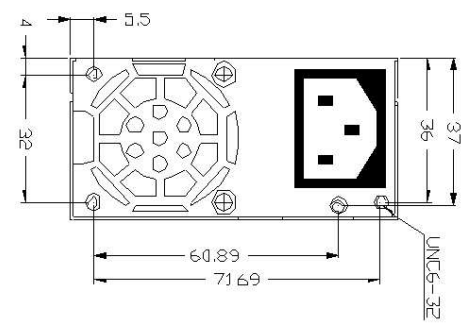


A
B
C
D
E



容許公差: TOLERANCES:	.XXX ±.025 .XX ±.100 .X ±.250
投影法: PROJECTION:	第三角法

材料規格: MATERIAL:	核准者: APPROVE BY: Robert Roan	日期: DATE: July 30, 2015
	審核者: CHECK BY: 徐吉生	日期: DATE: July 30, 2015
	繪圖者: DRAW BY: 楊毓華	日期: DATE: July 30, 2015

Genesys Group 台灣工控有限公司
genesysgroup.com.tw

品名: 1U Flex ATX 250W power supply with PFC
NAME: wiring harness since July 30, 2015

料號: ENP7025B-162YGD-N
PART NO:

圖號: DRAW NO:	檔號: FILE NO:
單位: mm UNITS:	版次: 3.0 REV. NO:
規格: SPEC:	編號: SHEET: