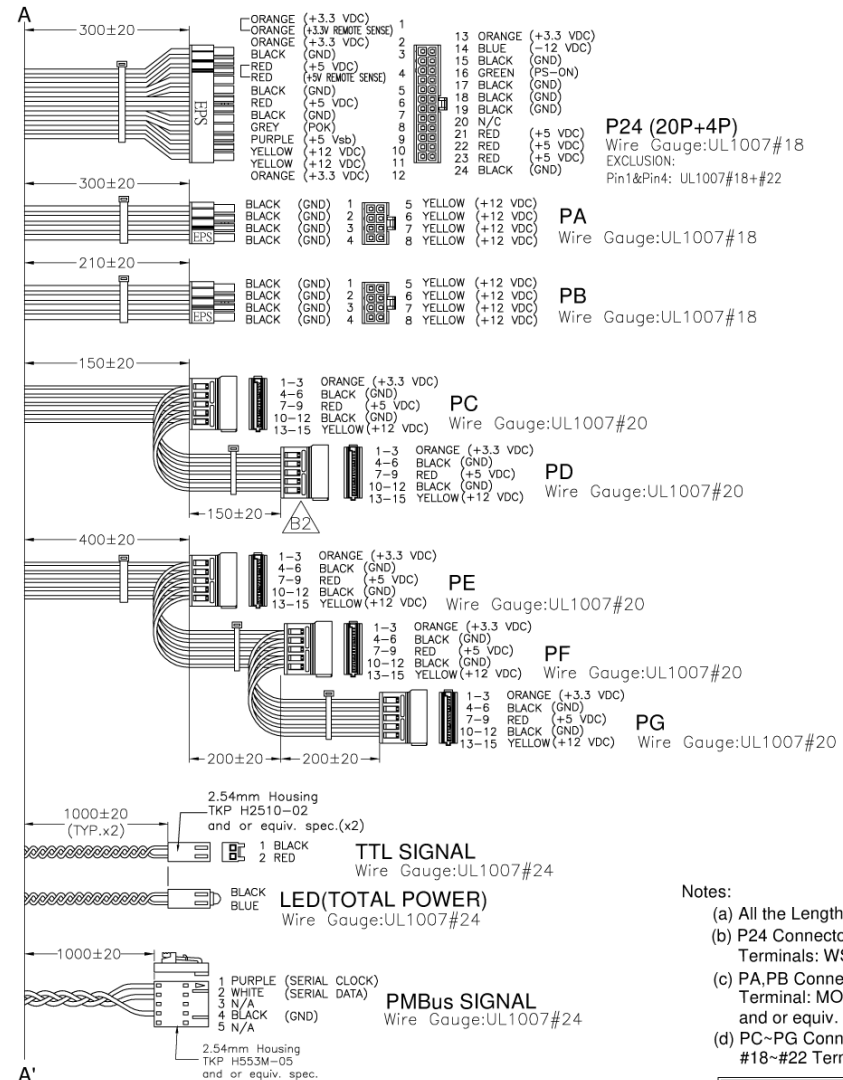
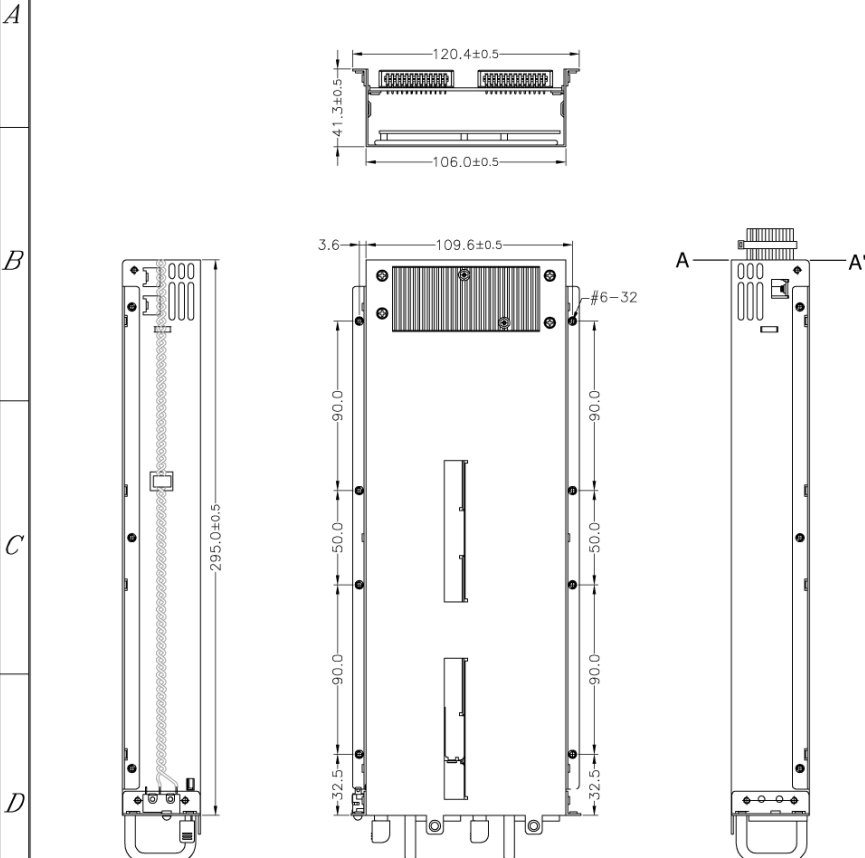




修訂 REVISIONS		日期 DATE
版次 REV.	記述 DESCRIPTION	
B2	修正線材長度標示	JUL-10-2023



- Notes:
- (a) All the Length of Output Wires Exclude Housing.
 - (b) P24 Connector: WST P24-I42002 and or equiv. spec. Terminals: WST I42002PS-2/2A and or equiv. spec.
 - (c) PA,PB Connector: MOLEX 39-01-2080 and or equiv. spec. Terminal: MOLEX 39-00-0059/60、39-00-0079/80 and or equiv. spec.
 - (d) PC~PG Connector: WST P5-I12707 and or equiv. spec. #18~#22 Terminals: WST I12707PS-00 and or equiv. spec.

新巨企業股份有限公司 ZIPPY TECHNOLOGY CORP. POWER DIVISION	
品名: MODEL NO:	M1R2-5800K2H
料號: PART NO:	B00M1R280K019
圖號: DRAW NO:	B00M1R280K019
檔號: FILE NO:	B00M1R280K019
單位: mm UNITS:	版次: B2 REV. NO:
規格: A0 SPEC.:	編號: 0F SHEET:

容許公差: TOLERANCES:	材料規格: MATERIAL:	核准者: APPROVE BY:	日期: DATE:
.XXX ±.025 .XX ±.100 .X ±.250		李宗翰	JUL-10-2023
投影法: PROJECTION:	審核者: CHECK BY:	日期: DATE:	日期: DATE:
第三角法	李宗翰	JUL-10-2023	JUL-10-2023
	繪圖者: DRAW BY:	日期: DATE:	日期: DATE:
	林意紋	JUL-10-2023	JUL-10-2023

Zippy wiring harness drawing# B00M1R280K019(B2)
Genesys wiring harness drawing# b00m1r280k019(b2)-20230710
Compliant 1U server chassis model# Genesys S104B-eATX (Version 1.0)
Compliant server motherboard model# SuperMicro X11DPH-i
Compliant 800W redundant power supply model# Zippy M1R2-5800K2H
Recorded or updated on July 10, 2023