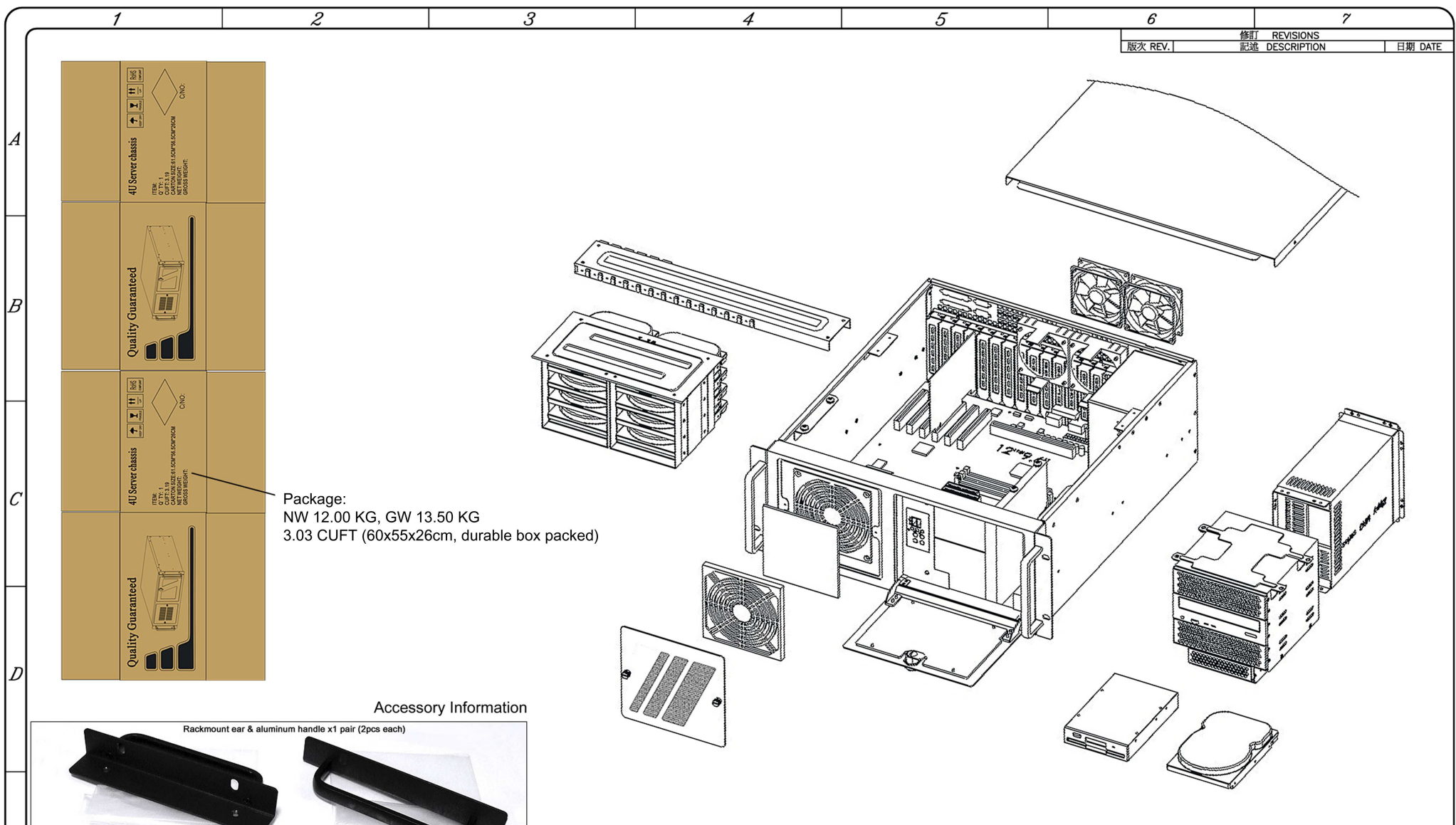


6		7	
版次 REV.	修訂 記號	REVISIONS DESCRIPTION	日期 DATE



A	4U Server chassis ITEM: 0171-1 CARTON SIZE: 61.0x55.0x26.0cm GROSS WEIGHT: 3.03kg	 CNC
	Quality Guaranteed	
C	4U Server chassis ITEM: 0171-1 CARTON SIZE: 61.0x55.0x26.0cm GROSS WEIGHT: 3.03kg	 CNC
	Quality Guaranteed	

Package:
NW 12.00 KG, GW 13.50 KG
3.03 CUFT (60x55x26cm, durable box packed)

Accessory Information



容許公差: TOLERANCES:	.XXX ±.025 .XX ±.100 .X ±.250
投影法: PROJECTION:	第三角法

材料規格: MATERIAL:	SGCC 1.2mm as main mechanism	
核准者: APPROVE BY:	Robert Roan	日期: DATE:
日期:	June 21, 2019	日期: DATE:
日期:	June 21, 2019	日期: DATE:
繪圖者: DRAW BY:	Danny Chih	日期: DATE:
日期:	June 21, 2019	日期: DATE:

台灣工控有限公司 genesysgroup.com.tw		
品名: NAME:	4U black (beige) eATX rackmount server chassis	
料號: PART NO.:	C480A (C480AW)	
圖號: DRAW NO.:	規格: SPEC.:	檔號: FILE NO.:
單位: UNITS:	版次: REV. NO.:	編號: SHEET:
mm	0.0	C480A-EXPO-20190621