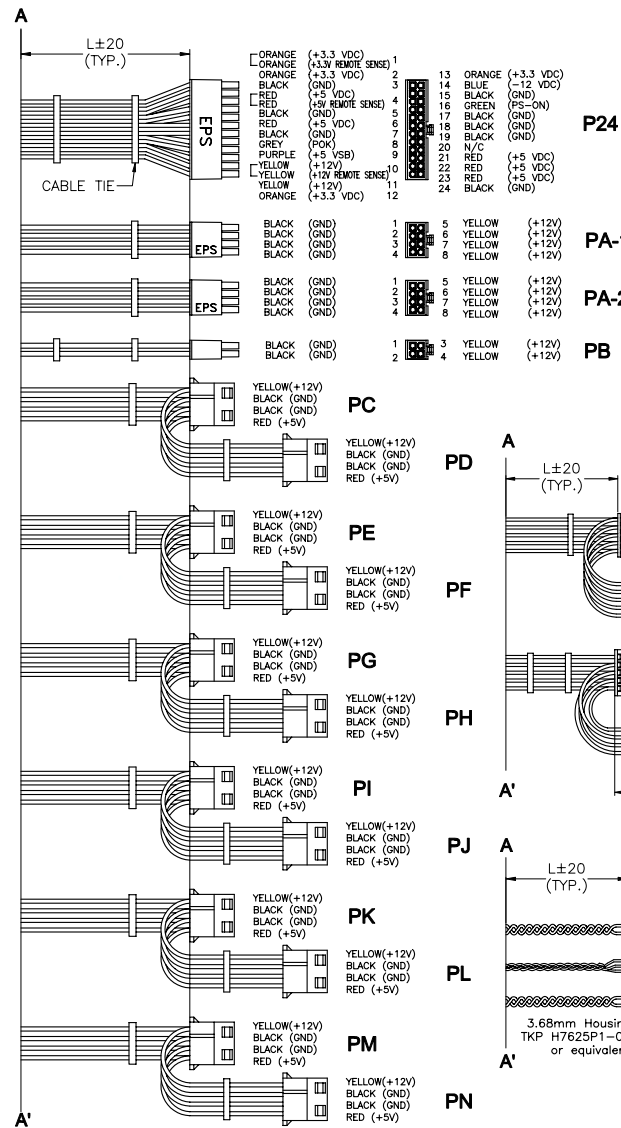
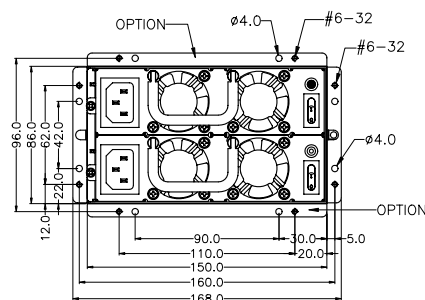
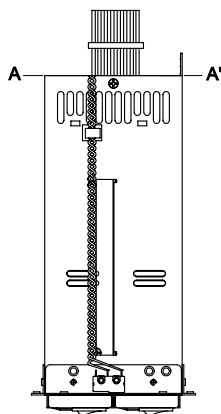
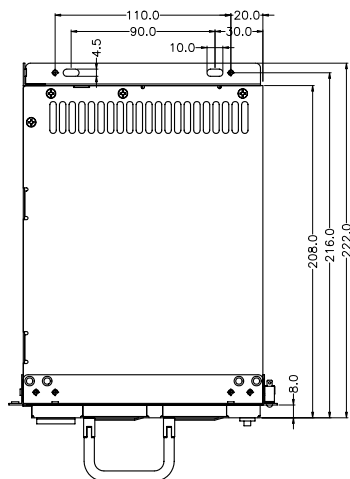
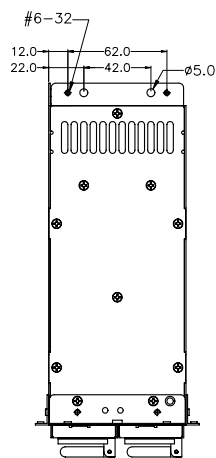
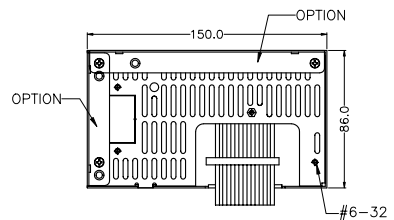




版次 REV.	修訂 REVISIONS	日期 DATE
	記號 DESCRIPTION	



- Notes:
- (a) All the Length of Output Wires Exclude Housing.
  - (b) P24 Connector: MOLEX 39-01-2240 or EQUIV.  
Terminal: MOLEX 39-00-0059/79 or EQUIV.
  - (c) PA-1, PA-2 Connector: MOLEX 39-01-2080 or EQUIV.  
Terminal: MOLEX 39-00-0059/79 or EQUIV.
  - (d) PB Connector: MOLEX 39-01-2040 or EQUIV.  
Terminal: MOLEX 39-00-0059/79 or EQUIV.
  - (e) PC-PN, PR Connector: AMP 1-480424-0 or EQUIV.  
Terminal: AMP 81117-4 or EQUIV.
  - (f) PO-PQ Connector: MOLEX 675820000 or EQUIV.  
Terminal: MOLEX 675810000 or EQUIV.

WIRE LENGTH LIST	
HOUSING	LENGTH
P24	460
PA-1	420
PA-2	300
PB	460
PC	370
PD	100
PE	370
PF	100
PG	370
PH	100
PI	370
PJ	100
PK	370
PL	100
PM	370
PN	100
PO	370
PP	230
PQ	600
PR	300
TTL SIGNAL	1140
LED	1130
BUZZER RESET	740

TOLERANCES: ±20  
UNIT: mm

容許公差:  
TOLERANCES:

.XXX ±.025  
.XX ±.100  
.X ±.250

投影法:  
PROJECTION:

第三角法

材料規格:  
MATERIAL:

核准者: 黃永欣  
APPROVE BY:

日期: APR-30-2010  
DATE:

審核者: 李宗翰  
CHECK BY:

日期: APR-30-2010  
DATE:

繪圖者: 林意斌  
DRAW BY:

日期: APR-30-2010  
DATE:

新巨企業股份有限公司  
ZIPPY TECHNOLOGY CORP.  
POWER DIVISION

品名: MRG-5800V4V  
MODEL NO:

料號: B00MRG080V008  
PART NO:

圖號: B00MRG080V008  
DRAW NO:

櫃號: B00MRG080V008  
FILE NO:

單位: mm 版次: B1  
UNITS: REV. NO:

規格: A0 編號: OF  
SPEC: SHEET: