

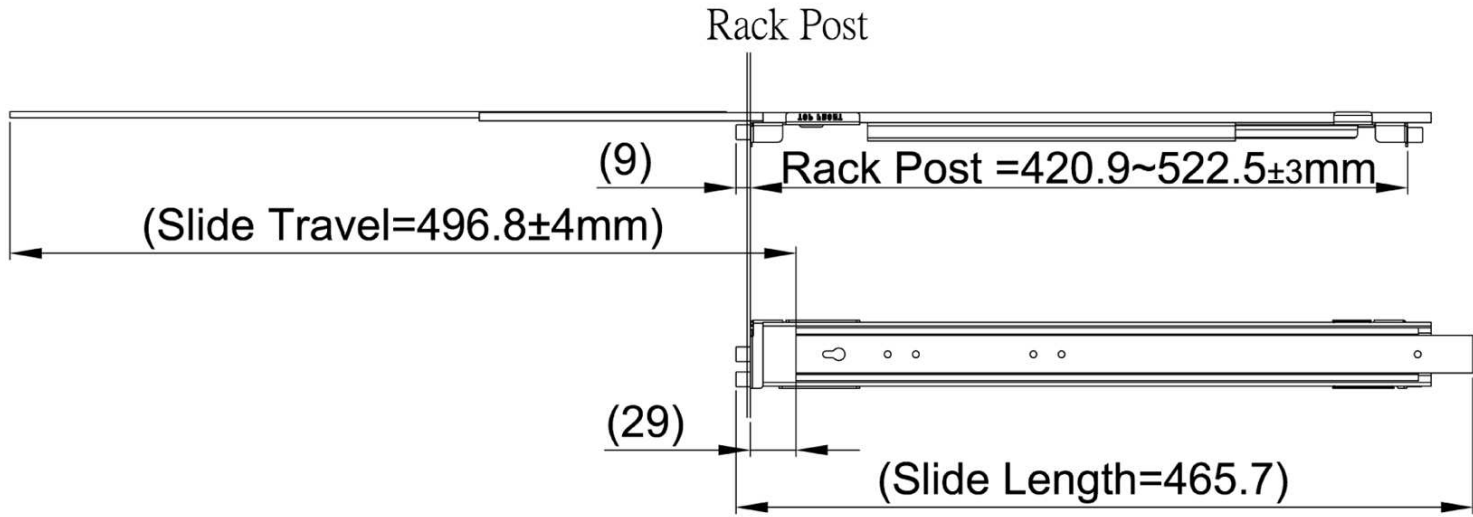
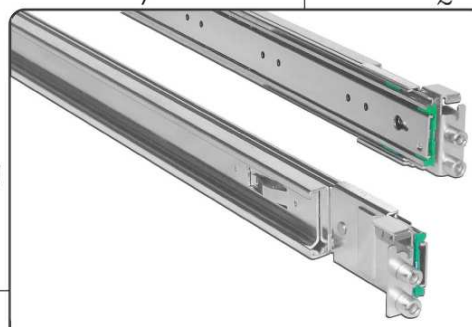
A

B

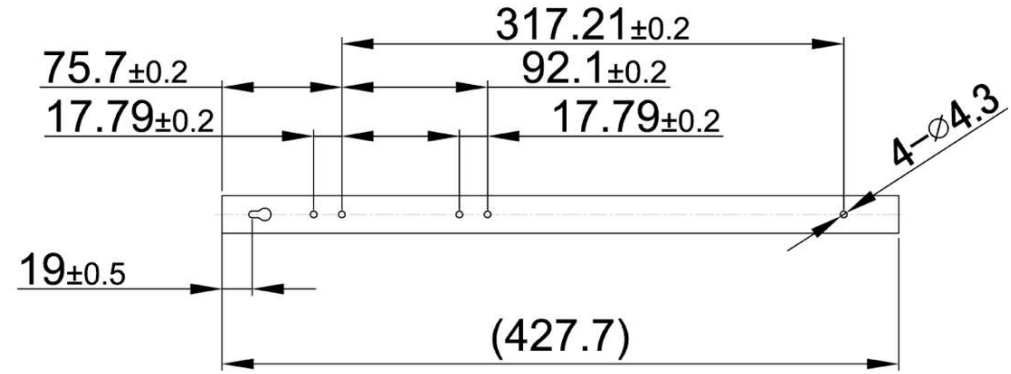
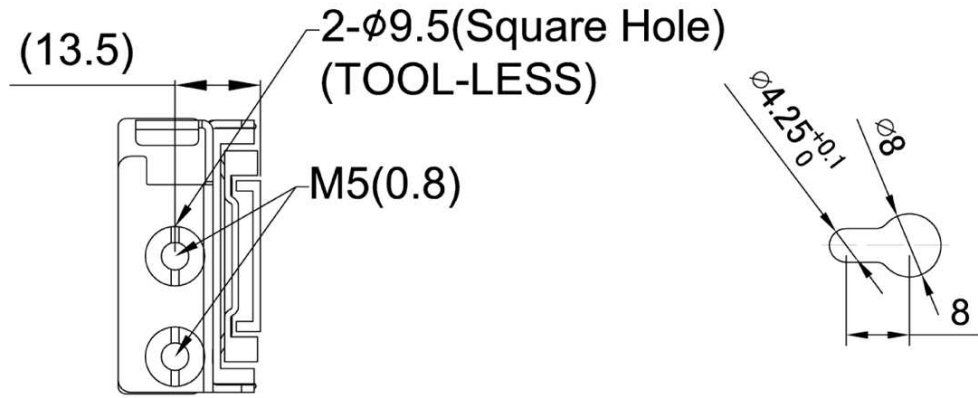
C

D

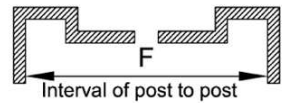
E



- ② M4x4L
- ③ M5x6L
- ④ ROUND-HOLE PIN  $\phi 7.1(-)$
- (FOR  $\phi 7.1$  ROUND-HOLE RACKS)
- ⑤ ROUND-HOLE PIN  $\phi 7.1(+)$
- (FOR  $\phi 7.1$  ROUND-HOLE RACKS)



ITEM	NAME	P/N	QUANTITY	NOTE
①	SLIDE RAIL		1SET	L/R
②	M4xP0.7-4L-I SCREW		12PCS	
③	M5xP0.8-6L-T SCREW		2PCS	
④	ROUND HOLE PIN $\phi 7.1(-)$		4PCS	
⑤	ROUND HOLE PIN $\phi 7.1(+)$		4PCS	



Note: 1. Test standard: Follow IEC 62368-1 8.11.3/8.11.4/8.11.5  
 2. It shows the left side on the drawing, Right side is the same as Left side.  
 3. Rack post=439.4~522.5mm.  
 Please refer to the operation manual.  
 4. FOR CHASSIS W=438±0.5mm.

容許公差: TOLERANCES:	.XXX ±.025 .XX ±.100 .X ±.250
投影法: PROJECTION:	第三角法

材料規格: MATERIAL:	核准者: APPROVE BY: Robert Roan	日期: DATE: December 26, 2023
	審核者: CHECK BY: Tammy Lin	日期: DATE: December 26, 2023
	繪圖者: DRAW BY: Venness Huang	日期: DATE: December 26, 2023

**Genesys Group** 台灣工控有限公司  
 genesysgroup.com.tw

品名: MODEL NO:	465mm 3-travel slimline slide rail
料號: PART NO:	NJ-S465
圖號: DRAW NO:	USH-40SVH422-GN1-20230830
檔號: FILE NO:	NJ-S465-DRAWING-20231226
單位: UNITS:	mm
版次: REV. NO:	0.0
規格: SPEC.:	
編號: SHEET:	OF