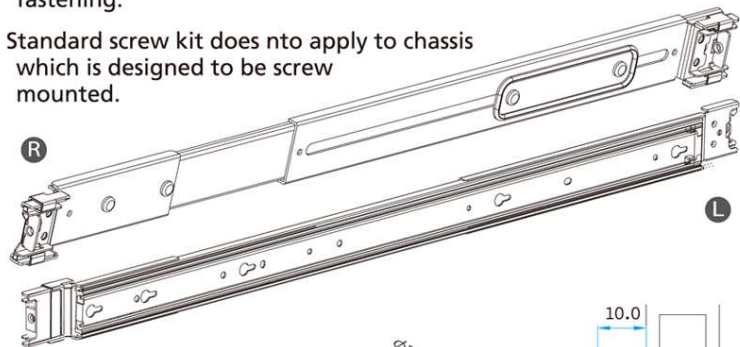


Samurai Tool-Less Server Slides, 75 pound (35 kgs) loading

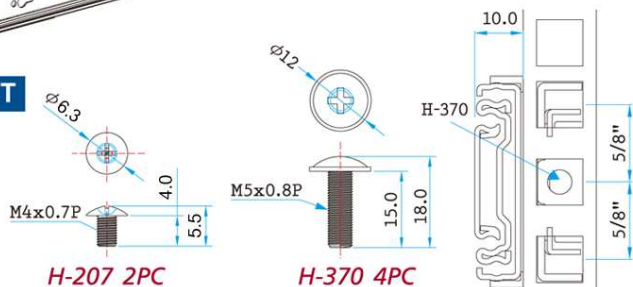
**4 STEPS TO THE SUCCESSFUL INSTALLATION!**

- A. Please go through this guide thoroughly before installation. Please note that the 100 lb - grade SB Tool-less is designed and built for 1U and 2U chassis.
- B. The SB bracket is for EIA rail with 5/8" potch andsquare hole, and can only be mounted behind the rail. You will need to purchase transfer bracket in order to mount SB bracket on the rail with round holes. The standard retail packaging shall include one piece of left hand, one piece of right hand 4 pieces of H-370 screws for ear plate fastening and 2 pieces of H-207 screws for chassis fastening.

\* Standard screw kit does nto apply to chassis which is designed to be screw mounted.



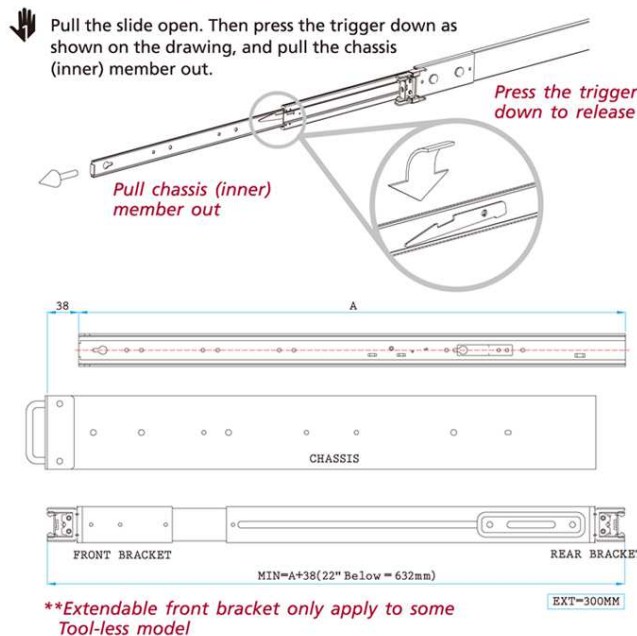
**SCREW KIT**



After installation or maintenance is finished, you may secure the server by putting screw through the center hole on bracket.

SB Tool-less bracket is built for EIA bracket with square holes at 5/8" pitch. It doesn't work with 1/2" pitch.

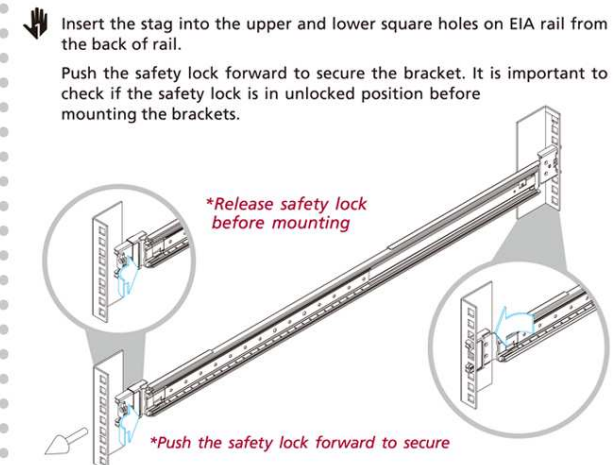
**Step 1 > Remove the chassis (inner) member**



**Step 2 > Mount the chassis (inner) member to the chassis**

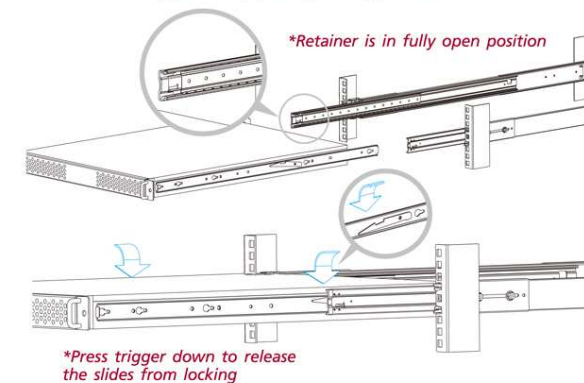
You may opt for M4 or M5 pan head screw. The screw head of either M4 or M5 can not exceed 2.0 mm. Alternatively, you may mount the slide member to the chassis through standoffs. Likewise, the head of stand-off can not exceed 2.0 mm. Each side of chassis is highly suggested to use 3 of screws or standoffs for slide attachment.

**Step 3 > Attach the cabinet (outer) member to the rail**



**Step 4 > Mount the chassis into the cabinet**

Insert the chassis (inner) member into the cabinet member as shown on the drawing. It is important to check if the ball retainer is in fully open position before install the chassis. It might cause catastrophic damage to the chassis if ball retainer is not in fully open position while mounting the chassis. While you are pushing chassis back to the cabinet, you need to release the slide from locking position by pressing the trigger down.



容許公差: TOLERANCES:	材料規格: MATERIAL:	品名: NAME:	台灣工控有限公司 genesysgroup.com.tw	
.XXX ±.025	核准者: APPROVE BY: Robert Roan	628mm 3-travel slimline slide rail	料號: PART NO: NJ-S628	槽號: FILE NO: nj-s628-installationguide-20180326
.XX ±.100	日期: DATE: March 26, 2018	圖號: DRAW NO:	單位: mm	規格: SPEC.:
.X ±.250	審核者: CHECK BY: Jun Chen	日期: DATE: March 26, 2018	版次: REV. NO: 1.0	編號: SHEET:
投影法: PROJECTION:	繪圖者: DRAW BY: Venness	日期: DATE: March 26, 2018		
第三角法				