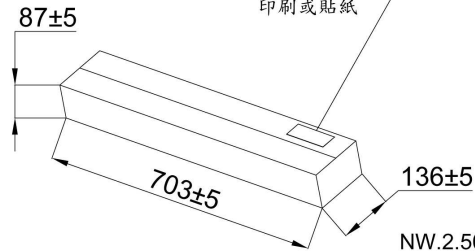


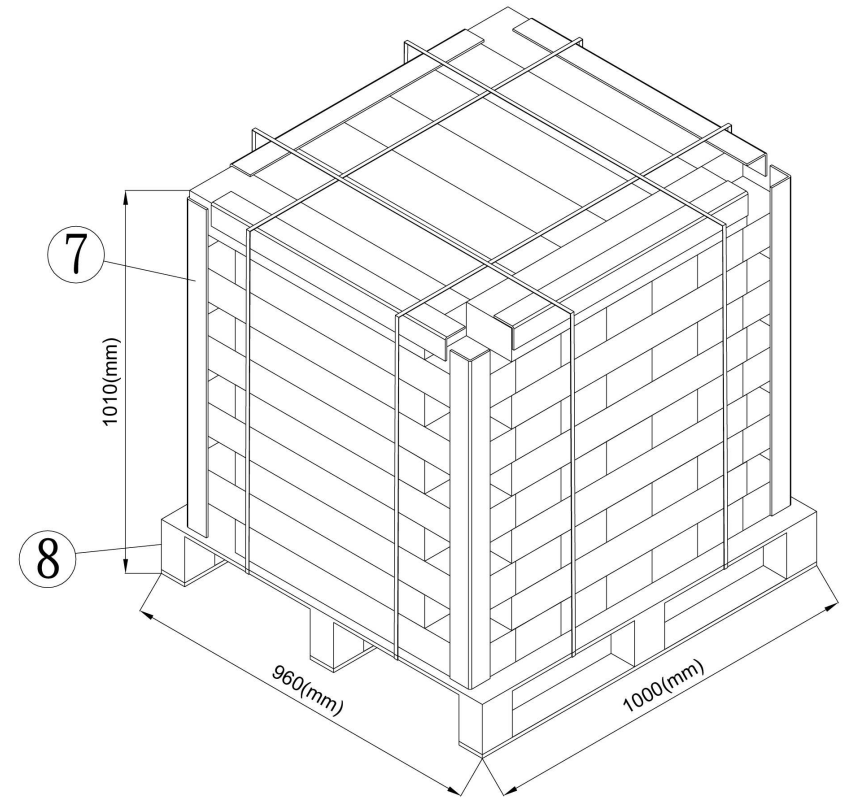
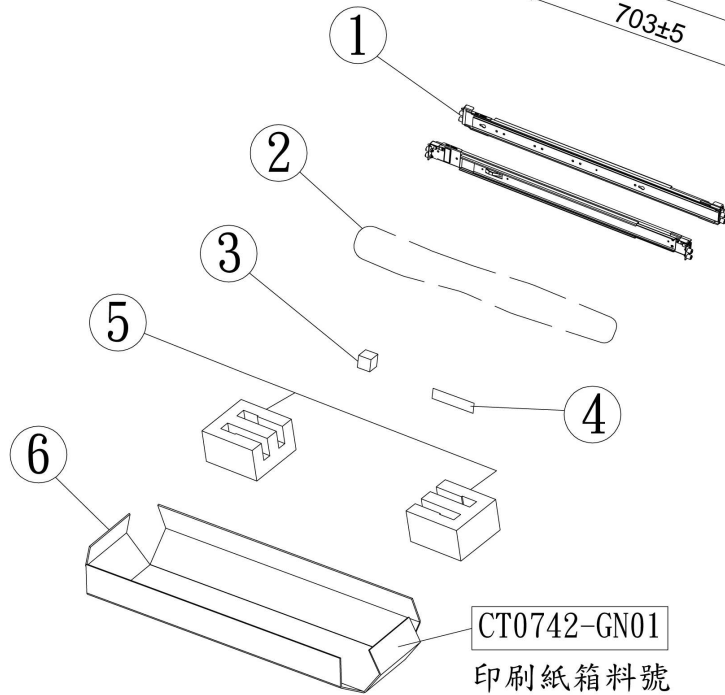
| 項次 | 品名 | PCS/組 |
|----|------------------------------------|-------|
| ① | 滑軌 Slide Rail | 1 |
| ② | PE袋 PE bag | 2 |
| ③ | 螺絲包(SW0036) Screw Pack | 1 |
| ④ | 說明書 Instruction sheet | 1 |
| ⑤ | EPE | 2 |
| ⑥ | 外箱(L:703 x W:136 x H:87) Paper box | 1 |
| ⑦ | 護角 Protective Corner Bar | 1/8 |
| ⑧ | 棧板(1000 x 960 x 140) Pallet | 1/80 |

NJ-S632
USH-40SVH615-GN1
Q' TY: 1SET

印刷或貼紙



NW.2.50KG
GW.3.00KG
0.30 CUFT



堆疊層式: 8(箱) X 10(層) = 80(箱)

One pallet loaded with 8 paper boxes x 10 layers = 80 pairs in total

容許公差:
TOLERANCES:
.XXX ±.025
.XX ±.100
.X ±.250

投影法:
PROJECTION:
第三角法

材料規格:
MATERIAL:

核准者: Robert Roan 日期: August 10, 2023
APPROVE BY: 日期:
審核者: Tammy Lin 日期: August 09, 2023
CHECK BY: 日期:
繪圖者: Venness Huang 日期: August 08, 2023
DRAW BY: 日期:

Genesys Group 台灣工控有限公司
genesysgroup.com.tw

| | |
|------------------|------------------------------------|
| 品名: MODEL NO: | 632mm 3-travel slimline slide rail |
| 料號: PART NO: | NJ-S632 |
| 圖號: DRAW NO: | USH-40SVH615-GN1-20230808 |
| 檔號: FILE NO: | NJ-S632-PALLET-20230810 |
| 單位: UNITS: | mm |
| 版次: REV. NO: | 0.0 |
| 規格: SPEC.: | |
| 編號: SHEET: | OF |