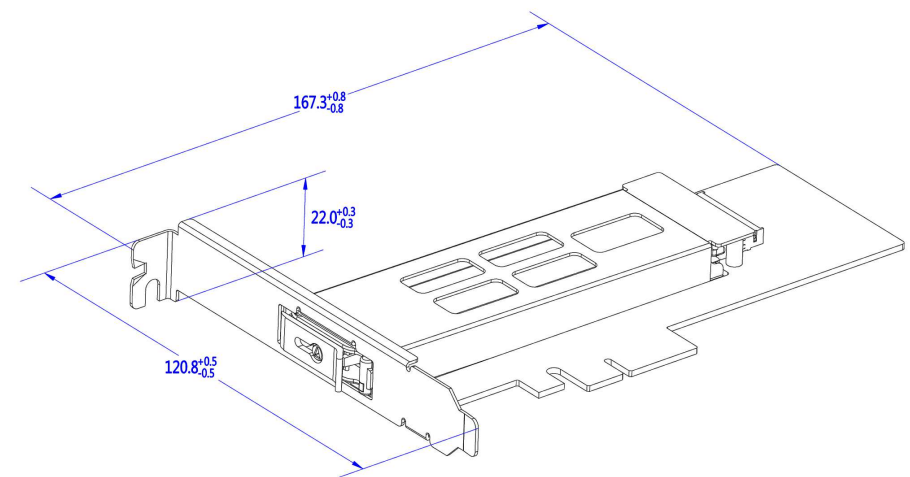
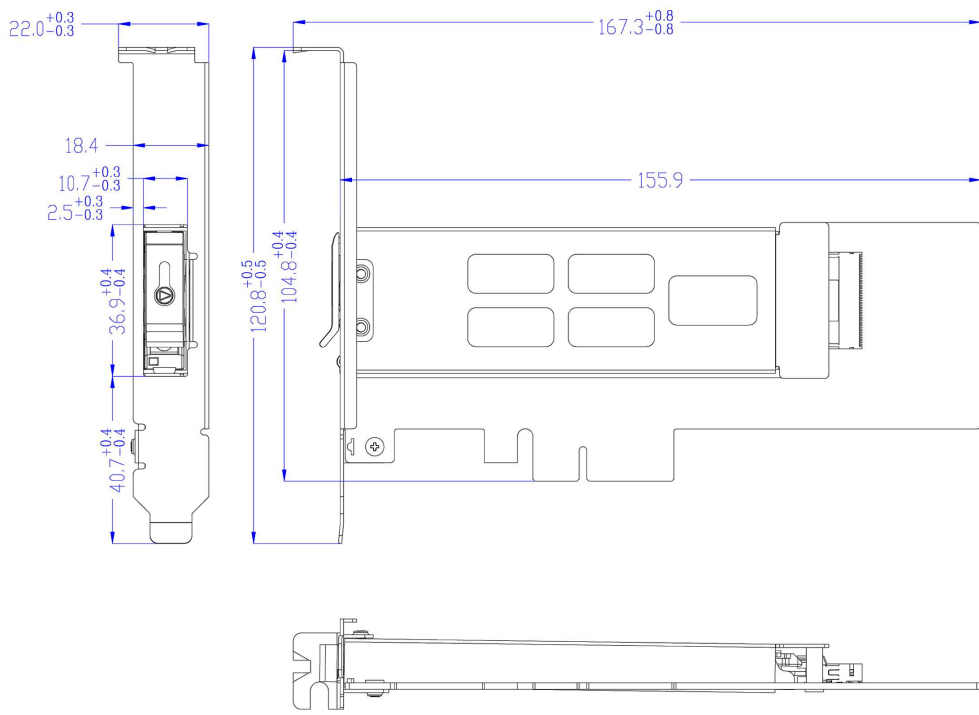


A
B
C
D
E



容許公差: TOLERANCES: .XXX ±.025 .XX ±.100 .X ±.250	材料規格: MATERIAL: 核准者: APPROVE BY: Robert Roan 審核者: CHECK BY: Tammy Lin 繪圖者: DRAW BY: Danny Chih	日期: DATE: February 17, 2023 日期: DATE: February 17, 2023 日期: DATE: February 17, 2023	品名: 1 Full/Low profile X4 slot to MODEL NO: 1 x M.2 SSD Removable Cage M.2 NVMe 64G 料號: PART NO: RW1M2-PCIeX4 圖號: DRAW NO: 單位: mm UNITS: mm 版次: 0.0 REV. NO: 0.0 規格: SPEC.: 檔號: FILE NO: RW1M2-PCIeX4-20230217 編號: SHEET: 0F
---	---	--	---

第三角法