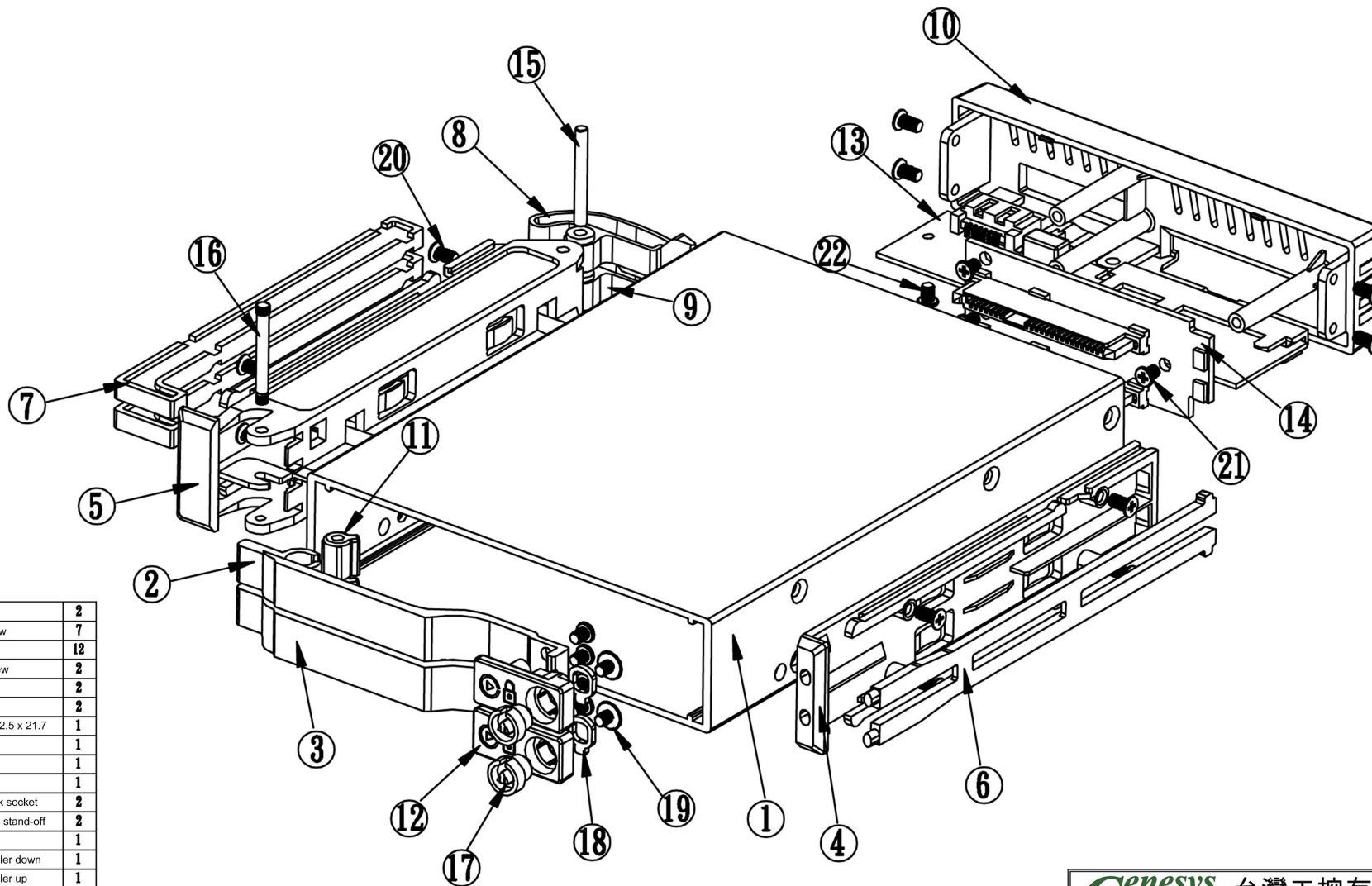


A  
B  
C  
D  
E



22	IT2.6 x 3.5 screw	2
21	IT2.6 x 5, head Ø 4mm screw	7
20	FT2.6 x 5 screw	12
19	IM2.6 x 3, head Ø 6mm screw	2
18	metal Keylock hinge	2
17	metal KeyLock type# 1041	2
16	round latch with twist drill Ø 2.5 x 21.7	1
15	round latch Ø 2.5 x 21.5	1
14	secondary PCB	1
13	primary PCB	1
12	black ABS 94-V1 handle lock socket	2
11	black nylon plus fiber handle stand-off	2
10	black ABS 94-V1 rear cover	1
9	black ABS 94-V1 passive roller down	1
8	black ABS 94-V1 passive roller up	1
7	black ABS 94-V1 push bar	2
6	Transparent plastic light pipe	1
5	black ABS 94-V1 left bracket	1
4	black ABS 94-V1 right bracket	1
3	black anodized aluminum handle	1
2	black anodized aluminum handle	1
1	black anodized aluminum basement	1
#	SPECIFICATION & BOM	Q'TY

容許公差: TOLERANCES:	.XXX ±.025 .XX ±.100 .X ±.250
投影法: PROJECTION:	第三角法

材料規格: MATERIAL:	核准者: APPROVE BY: Robert Roan	日期: DATE: May 14, 2022
	審核者: CHECK BY: Jun Chen	日期: DATE: May 14, 2022
	繪圖者: DRAW BY: Venness Huang	日期: DATE: May 14, 2022

台灣工控有限公司 genesysgroup.com.tw	
品名: MODEL NO:	1x3.5" FDD to 2x2.5" TrayLess HotSwap Cage SATA/SAS 12G
料號: PART NO:	TL225 Exploded view
圖號: DRAW NO:	檔號: FILE NO: TL225-EXPLO-20220514
單位: UNITS: mm	版次: REV. NO: 1.0
規格: SPEC.:	編號: SHEET: OF